



# SWIFT

Major Specifications and Equipment





## Model Lineup

**GLX**



Burning Red Pearl Metallic × Super Black Pearl





Rush Yellow Metallic x Premium Silver Metallic





## Exterior Colours Single-tone colours



Burning Red Pearl Metallic



Speedy Blue Metallic



Pure White Pearl



Premium Silver Metallic



Mineral Gray Metallic



Super Black Pearl



Fervent Red

## Exterior Colours Two-tone colours



Burning Red Pearl Metallic × Super Black Pearl



Flame Orange Pearl Metallic × Super Black Pearl



Rush Yellow Metallic × Premium Silver Metallic



Speedy Blue Metallic × Super Black Pearl

## Seat upholstery



# Major Equipment

Engine	Petrol		
	1.2L		
Drive system	2WD		
Transmission	5MT/CVT		
Grade	GL		GLX
<b>CHASSIS</b>			
Tyres and wheels	175/65R15 + steel wheels with full wheel cover	S	-
	185/55R16 + alloy wheels	0	-
	185/55R16 + polished alloy wheels	-	S
Spare tyre and wheel	T135/70R15 + steel wheel (for temporary use only)	S	S
<b>EXTERIOR</b>			
Black-coloured A and B pillars		S	S
Front and rear bumpers	Body coloured	S	S
Front grille	Black + Chrome	S	S
Outside door handles	Body coloured	S	S
Tailgate opener	Electromagnetic	S	S
<b>VISIBILITY</b>			
Headlamps	Halogen multi-reflector	S	-
	LED projector	-	S
Headlamp leveling device	Manual	-	S
Automatic lamps		-	S
Rear combination lamps	LED	S	S
Fog lamps	Front	0	S
Position lamps	LED	S	S
Green-tinted windows		S	S
Wipers	Front: 2 speeds (low, high) + adjustable intermittent + washer	S	S
	Rear: 1 speed + intermittent + washer	S	S
Rear window demister		S	S
Outside door mirrors	Body coloured	S	S
	Electrical adjust	S	S
	Electrical fold	-	S
	With built-in turn signal lamp	-	S
Day / night rearview mirror	Manual dimming	S	S
<b>STEERING AND INSTRUMENT PANEL</b>			
3-spoke steering wheel	Leather covered	S	S
	With audio controls	S	S
	With cruise control	-	S
	With hands-free phone control	S	S
	Tilt-adjust	S	S
	Telescopic-adjust	-	S
Power steering		S	S
Tachometer		S	S
Information display	LCD	-	S
	Segment display	S	-
	Clock	S	S
	Outside temperature gauge	-	S
	Fuel consumption gauge (instantaneous/average)	S	S
	Gear position indicator (AT/CVT)	S	S
	Driving range	S	S
	Speed (average)	S	S
	Speed (running)	S	S
Light-off and key reminder	Alarm	S	S
Driver's seatbelt reminder	Lamp & Alarm	S	S
Passenger's seatbelt reminder	Lamp & Alarm	S	S
Door ajar reminder	Lamp	S	S
Low fuel warning	Lamp	S	S
Instrument panel ornament (from centre to passenger side)	White with dimple pattern	S	-
	Silver	-	S
<b>DRIVING AMENITIES</b>			
Electric windows	Front	S	S
	Rear	S	S
Central door locking	Switch on driver's side	S	S
Remote-control door locks	With hazard lamp answerback function	S	S
Keyless push start system		S	S
Air conditioner	Manual	S	-
	Automatic	-	S
Heater		S	S
Pollen filter		S	S
Audio	Antenna (mounted at rear of roof)	S	S
	Front speakers	S	S
	Rear speakers	S	S
	Front tweeters	S	S
	MP3/WMA compatible CD player + Bluetooth®*	0 <sup>1</sup>	0 <sup>1</sup>
	Smartphone linkage display audio + NAV + Bluetooth®* + rearview camera	0 <sup>2</sup>	0 <sup>2</sup>
Cruise control		-	S

Engine	Petrol		
	1.2L		
Drive system	2WD		
Transmission	5MT/CVT		
Grade	GL		GLX
<b>INTERIOR</b>			
Cabin lights	Front map light (3-position)	S	S
Sun visors	Driver's side	S	S
	With ticket holder + vanity mirror	S	S
	Passenger's side	S	S
	With ticket holder + vanity mirror	S	S
Assist grips	Passenger's side	S	S
	Rear x 2	-	S
Cup holders	Front x 2	S	S
	Rear x 1	S	S
Bottle holders	Front x 2	S	S
	Rear x 2	S	S
Centre-lower box		S	S
Shift knob	Piano black	S	S
Parking brake release button	Chrome	S	S
USB port and AUX input	Console box	0 <sup>1</sup> , 0 <sup>2</sup>	0 <sup>1</sup> , 0 <sup>2</sup>
12V accessory socket	Console box	S	S
Foot rest	Driver's side	S	S
Remote fuel lid opener		S	S
Front door trim insert	Fabric	S	S
Front door trim ornament	White with dimple pattern	S	-
	Silver	-	S
Inside door handles	Black	S	-
	Chrome	-	S
Storage pockets	Front doors	S	S
<b>SEATS</b>			
Front seats	Seat height adjuster (driver's side)	S	S
	Head restraints (separate type)	S	S
	Seatback pocket (passenger's side)	S	S
Rear seats	60:40-split single-fold	S	S
	Head restraint x 3 (separate type)	S	S
Seat upholstery material	Fabric	S	S
<b>LUGGAGE AREA</b>			
Luggage shelf		S	S
Luggage area light		S	S
<b>SAFETY, SECURITY, AND ENVIRONMENTAL COMPATIBILITY</b>			
SRS front dual airbags		-	S
SRS side airbags	Front	-	S
SRS curtain airbags		-	S
Pedal release system	Brake & clutch	S	S
Seatbelts	Front: 3-point ELR seatbelts with pretensioners and force limiters	S	S
	With shoulder height adjusters	S	S
	Rear: 3-point ELR seatbelts	S	S
ISOFIX child seat anchorages	x2	S	S
Child seat tether anchorages	x2	S	S
Childproof rear door locks		S	S
Side impact door beams		S	S
ABS (with EBD function)		S	S
ESP**		S	S
Parking sensors	Rear: 4 sensors	S	S
Brake assist function		S	S
CVT shift lock / key interlock		S(CVT)	S(CVT)
DRL (daytime running lights)	LED (mounted on front bumper)	S	-
	LED (integrated in headlamps)	-	S
High-mount stop lamp		S	S
Immobiliser		S	S
Security alarm		S	S

S : Standard 0 : Option - : Not Available

0<sup>1</sup> - 0<sup>2</sup>: Set option

\* : Bluetooth is a registered trademark of Bluetooth SIG, Inc.

\*\* : ESP is a registered trademark of Daimler AG. The ESP is designed to help keep the vehicle under control. However, the degree of engine torque reduction, the wheels that brake and their braking force vary according to the driving conditions. ESP is essentially a system to assist stable driving. In the case of slippage or skidding that exceeds the limits of grip between tyres and road surface, ESP will still function but may not be effective.

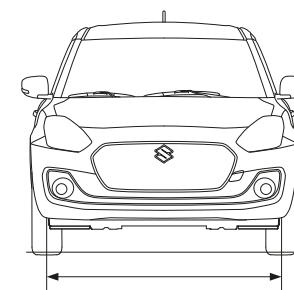
## Major Specifications

Number of doors	5-door		
Engine	Petrol		
	1.2L		
Drive system	2WD		
<b>DIMENSIONS</b>			
Overall length	mm	3,845	
Overall width	mm	1,735	
Overall height	mm	1,495	
Wheelbase	mm	2,450	
Tread	Front	175/65R15	1,530
		185/55R16	1,520
	Rear	175/65R15	1,530
		185/55R16	1,520 (with drum brake) 1,525 (with disc brake)
Minimum turning radius*	m	4.8	
Minimum ground clearance	mm	120	
<b>CAPACITIES</b>			
Seating capacity	persons	5	
Fuel tank capacity	litres	37	
Luggage capacity*	Max. volume (fixed rear seat)	litres	947
	Max. volume (fixed rear seat)	litres	918
	Rear seatback folded (VDA method)	litres	579
	Rear seatback folded (VDA method)	litres	556
	Rear seatback raised (VDA method)	litres	265
	Rear seatback raised (VDA method)	litres	242
<b>ENGINE</b>			
Type	K12M		
Number of cylinders	4		
Number of valves	16		
Piston displacement	cm <sup>3</sup>	1,197	
Bore x stroke	mm	73.0 x 71.5	
Compression ratio	11.0		
Maximum output	kW/rpm	61/6,000	
Maximum torque	N-m/rpm	113/4,200	
Fuel distribution	Multipoint injection		
<b>TRANSMISSION</b>			
Type	5MT		CVT
Gear ratio	1st	3.545	4.006 ~ 0.550 (LOW:4.006 ~ 1.001, HIGH:2.200 ~ 0.550)
	2nd	1.904	
	3rd	1.240	
	4th	0.914	
	5th	0.717	
	6th	-	
	Reverse	3.272	
Final gear ratio	4.388	3.757	
<b>CHASSIS</b>			
Steering	Rack & Pinion		
Brakes	Front	Ventilated disc	
	Rear	Drum, leading and trailing (GL), Disc (GLX)	
Suspension	Front	MacPherson strut with coil spring	
	Rear	Torsion beam with coil spring	
Tyres	175/65R15, 185/55R16		
<b>WEIGHTS</b>			
Kerb weight (min./with full option)	kg	860 ~ 890	900 ~ 925
Gross vehicle weight	kg	1,365	
<b>PERFORMANCE</b>			
Maximum speed*	km/h	175	170
0-100 km/h*	sec	11.6	11.5

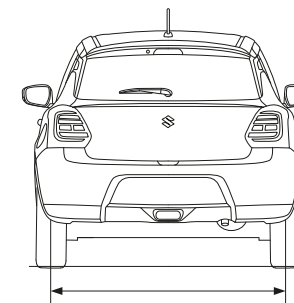
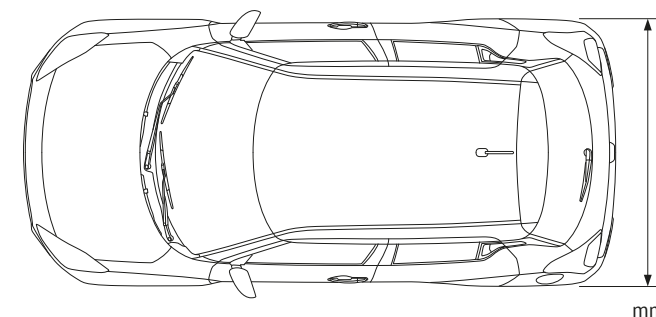
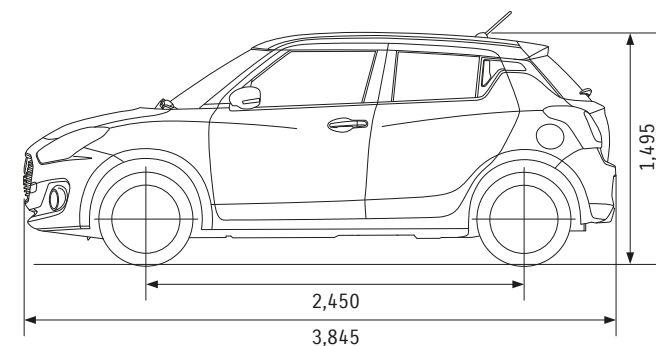
Specification may be changed without prior notice.

Specifications may vary for individual markets.

\* Manufacture data



1,530 (175/65R15), 1,520 (185/55R16)

1,530 (175/65R15)  
With drum brake: 1,520 (185/55R16), With disc brake: 1,525 (185/55R16)

mm



شركة محمد جلال واولاده المحدودة ذ.م.م.  
MOHAMMED JALAL & SONS COMPANY LIMITED W.L.L.

Sitra Showroom: 17 707070  
Khamis Showroom: 17 700800  
Email: [Automotive@jalal.com](mailto:Automotive@jalal.com)