

# Jimny

## Major Specifications and Equipment



GLX



GL



GA



## Exterior colour



**Two-tone colours** Kinetic Yellow + Bluish Black Pearl 3 (DG5)



**Two-tone colours** Chiffon Ivory Metallic + Bluish Black Pearl 3 (2BW)



**Two-tone colours** Brisk Blue Metallic + Bluish Black Pearl 3 (CZW)



**Single-tone colours** Jungle Green (ZCC)



Single-tone colours Bluish Black Pearl 3 (ZJ3)



Single-tone colours Silky Silver Metallic (Z2S)



Single-tone colours Medium Gray (ZVL)



Single-tone colours White (26U)

## Major Equipment

Engine	Petrol			
	1.5L			
Drive system	Part-time 4WD (ALLGRIP PRO)			
Transmission	5MT	5MT/ 4AT	4AT	
Grade	GA	GL	GLX	
<b>CHASSIS</b>				
Tyres and wheels	195/80R15 + steel wheels	S	-	-
	195/80R15 + alloy wheels	-	S	S
Spare tyre and wheel	195/80R15 + steel wheel	S	-	-
	195/80R15 + alloy wheel	-	S	S
<b>EXTERIOR</b>				
Front grille	Black colour	S	S	S
Wheel arch extensions	Material colour	S	S	S
Drip rails		S	S	S
Outside door handles	Body colour	-	-	S
Tailgate opener	Key	S	-	-
	Centre door lock	-	S	S
<b>VISIBILITY</b>				
Headlamps	Halogen multi-reflector	S	S	-
	LED projector	-	-	S
Headlamp levelling device	Manual	-	Manual	S
Automatic lamps		-	-	S
Lamp washer		-	-	S
Fog lamps	Front	-	S	S
Green-tinted windows	Front door windows	S	S	S
	Quarter & tailgate windows	S	S	S
UV-cut glass	Windscreen	S	S	S
Wipers	Front: 2-speed (low, high) + intermittent + washer	S	S	S
	Rear: 1-speed + washer	S	S	S
Tailgate window demister		S	S	S
Outside door mirrors	Black (painted)	-	-	S
	Electrically adjustable	-	S	S
Day / night rearview mirror	Manual dimming	S	S	S
<b>STEERING AND INSTRUMENT PANEL</b>				
3-spoke steering wheel	Urethane	S	S	-
	Leather covered	-	-	S
	With audio controls	S	S	S
	With cruise control	-	-	S
	With hands-free phone control	-	0 <sup>1</sup>	0 <sup>1</sup>
	Tilt-adjust	S	S	S
Power steering		S	S	S
Tachometer		S	S	S
Light-off and key reminder	Alarm	S	S	S
Driver's seatbelt reminder	Lamp & alarm	S	S	S
Door ajar reminder	Lamp	S	S	S
Low fuel warning	Lamp	S	S	S
<b>DRIVING AMENITIES</b>				
Digital clock		S	S	S
Electric windows (Front)	Driver's side (up/down auto)	-	S	S
	Passenger's side	-	S	S
Central door locking (including tailgate)	Switch (driver's side)	-	S	S
Remote-control door locks	With hazard lamp answerback function	-	S	S
Air conditioner	Manual	S	S	-
	Auto	-	-	S
Heater		S	S	S
Pollen filter		S	S	S
Audio	Antenna (mounted at rear of roof)	S	S	S
	Speaker x 2	S	S	S
	Audioless(2DIN Garnish w/o box)	S	S	S
	MP3/WMA compatible CD player + Bluetooth**	-	0 <sup>1</sup>	0 <sup>1</sup>
	Smartphone linkage display audio + Bluetooth**	-	-	0 <sup>2</sup>
Cruise control		-	-	S

Engine	Petrol			
	1.5L			
Drive system	Part-time 4WD (ALLGRIP PRO)			
Transmission	5MT	5MT/ 4AT	4AT	
Grade	GA	GL	GLX	
<b>INTERIOR</b>				
Cabin lights	Front cabin light (3-position)	S	S	S
	Rear cabin light (3-position)	-	-	S
Driver's sun visor		S	S	S
	With ticket holder	-	-	S
	With vanity mirror	-	-	S
Passenger's sun visor		S	S	S
	With ticket holder	-	-	S
	With vanity mirror	-	-	S
Assist grips	Passenger's side	S	S	S
	Rear x 2	S	S	S
Cup holder	Centre console	S	S	S
Shift knob	Urethane	S	S	S
	With chrome	-	S (MT)	-
	With piano black	S	S (AT)	S
Parking brake release button	Black	S	-	-
	Chrome	-	S	S
12V interior accessory socket	Centre console x 1	S	S	S
	Luggage room x 1	-	-	S
USB socket	Centre console x 1	-	0 <sup>1</sup>	0 <sup>2</sup>
Remote fuel lid opener		S	S	S
Inside door openers	Chrome	-	S	S
<b>SEATS</b>				
Front seats	Walk-in mechanism (passenger's side)	S	S	S
Rear seat	50:50-split single-folding	-	S	S
	Head restraints x 2	S	S	S
Seat upholstery material	Fabric	S	S	S
<b>LUGGAGE AREA</b>				
Luggage Box (for Flat Floor)		-	-	S
<b>SAFETY AND SECURITY</b>				
SRS front dual airbags		S	S	S
Seatbelts	Front: 3-point ELR seatbelts x 2	S	S	S
	with pretensioners and force limiters	S	S	S
	Rear: 3-point ELR seatbelts x 2	S	S	S
ISOFIX child seat anchorages	Rearx2	S	S	S
Pedal Release System	Brake & clutch	S	S	S
Side impact door beams		S	S	S
ABS		S	S	S
ESP***		S	S	S
Hill hold control		S	S	S
Hill descent control		S	S	S
Brake assist function		S	S	S
Shift lock/key interlock (AT)		-	S (AT)	S
High-mount stop lamp		S	S	S
Immobilizer		S	S	S

S : Standard 0 : Option - : Not Available

0<sup>1</sup> - 0<sup>2</sup>: Set option

\* :Bluetooth is a registered trademark of Bluetooth SIG, Inc.

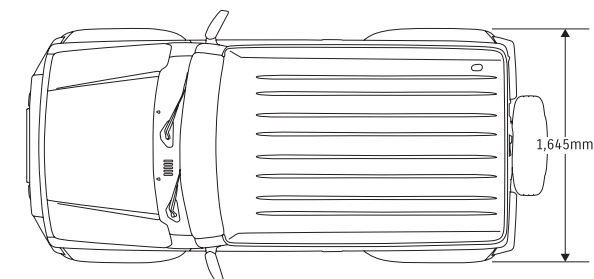
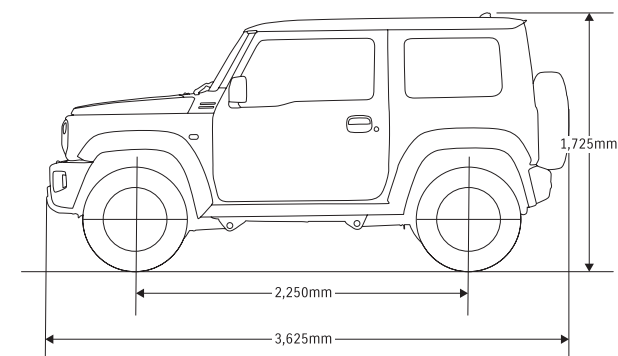
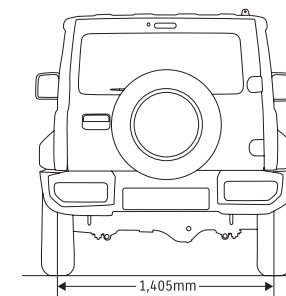
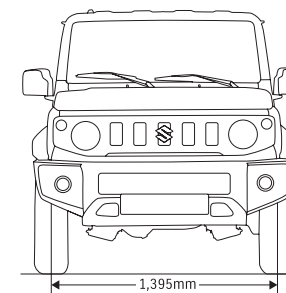
\*\*:ESP is a registered trademark of Daimler AG.

## Major Specification

Number of doors	3		
Engine	Petrol		
	1.5L VVT		
Drive system	Part-time 4WD (ALLGRIP PRO)		
Transmission	5MT	4AT	
<b>DIMENSIONS</b>			
Overall length	Front bumper to rear bumper	mm	3,480
	Front bumper to spare wheel	mm	3,625
Overall width		mm	1,645
Overall height		mm	1,725
Wheelbase		mm	2,250
Tread	Front	mm	1,395
	Rear	mm	1,405
Minimum turning radius		m	4.9
Minimum ground clearance		mm	210
Approach angle		deg.	37
Ramp breakover angle		deg.	28
Departure angle		deg.	49
<b>CAPACITIES</b>			
Seating capacity	persons		4
Luggage capacity	Max. volume	litres	830
	Rear seatback folded (VDA method)	litres	377*
	Rear seatback raised (VDA method)	litres	85*
Fuel tank capacity	litres		40
<b>ENGINE</b>			
Type			K15B
Number of cylinders			4
Number of valves			16
Piston displacement	cm <sup>3</sup>		1,462
Bore x stroke	mm		74.0 x 85.0
Compression ratio			10
Maximum output	kW/rpm		75/6,000
Maximum torque	N-m/rpm		130/4,000
Fuel distribution			Multipoint injection
<b>TRANSMISSION</b>			
Type		5MT	4AT
Gear ratio	1st	4.425	2.875
	2nd	2.304	1.568
	3rd	1.674	1.000
	4th	1.190	0.697
	5th	1.000	-
	Reverse	5.151	2.300
Final gear ratio		4.090	4.300
Transfer gear ratio	High	1.000	1.320
	Low	2.002	2.644
<b>CHASSIS</b>			
Steering			Recirculating ball
Brakes	Front		Solid disc
	Rear		Drum, leading and trailing
Suspension	Front		3-link rigid axle with coil spring
	Rear		3-link rigid axle with coil spring
Tyres			195/80R15
<b>WEIGHTS</b>			
Kerb weight (min./with full options)	kg	1,090/1,135	1,110/1,135
Gross vehicle weight	kg	1,435	
<b>PERFORMANCE</b>			
Maximum speed	km/h	145	140

All figures are manufacture's data and may vary for each market.

\* Measured without luggage box.





شركة محمد جلال واولاده المحدودة ذ.م.م.  
MOHAMMED JALAL & SONS COMPANY LIMITED W.L.L.

Sitra Showroom: 17 707070  
Khamis Showroom: 17 700800  
Email: [Automotive@jalal.com](mailto:Automotive@jalal.com)